

U3 SPEZIAL DRAINAGE PUMPS

- For saline solutions up to 10% salinity
- Cooling jacket for motor housing
- Low level pumping by detachable strainer base
- Run dry protection
- EIP Technology
- SiC mechanical seal
- Moisture sealed cable inlet



DESCRIPTION

Die U3K(S) is a special model made from high-quality resistant materials. This model is suitable for both stationary and portable use and is also able to handle aggressive media such as liquids containing salt, brackish water, condensate, silage liquor, whey and liquid fertilizer in the agricultural industry.

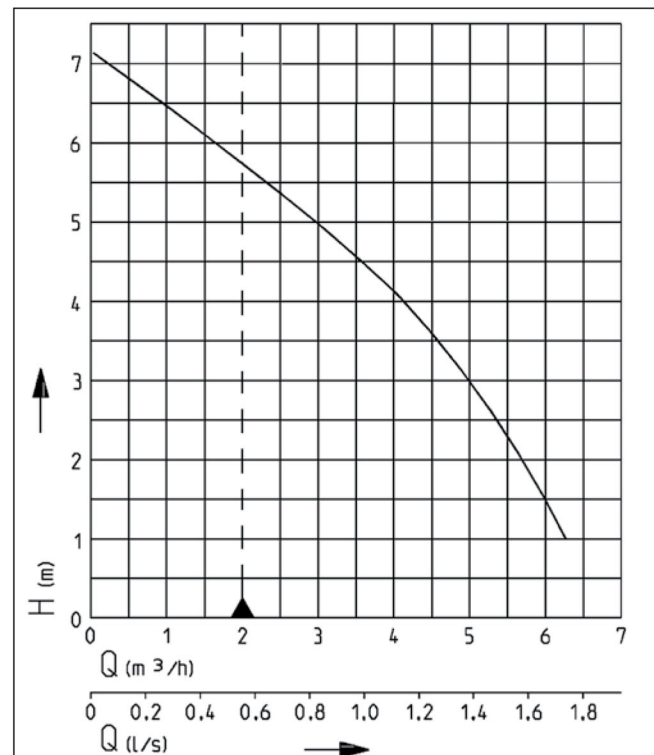
Contaminated water at high temperatures from dishwashers and washing machines (also high temperature) as well as condensate from gas condensing boilers can also be removed with the pump. For stationary operation the pump can also be combined with either the collecting tank supplied or with a large number of our chemical-resistant collecting tanks.

For other aggressive media we advise you to consult us. The difference in the characteristics of the various media does not make it possible for us to provide a guarantee.

This pump provides the same outstanding innovative technical features as the standard model. For stationary use in drains the guide rail system GR 32 also offers all the advantages of fast and easy maintenance. If the sump or tank runs dry temporarily, the pump can be vented by providing a drill-hole in the spiral housing.

If centrifugal submersible pumps are used outdoors, only a pump with 10 m cable without extension cable may be used in accordance with VDE Regulation 0100.

PERFORMANCE



Type	Delivery head H [m]	1	2	3	4	5	6
U3K-spezial/U3KS-spezial	Flow rate Q [m³/h]	6.5	5.5	5.0	4.0	3.0	1.5

We reserve the right to change specifications without notice. Pump performance is subject to ISO 9906 tolerances

The minimum flow velocity in the pressure piping must be 0.7 m/s according to EN 12056. This data is represented in the performance curve as a limit of application.



U3 SPEZIAL

DRAINAGE PUMPS

SCOPE OF SUPPLY

Pump ready for connection acc. to EN 12050 with 90°, 1¼" female connection elbow, cable and plug, S model with automatic level float switch.

MECHANICAL DATA

Pump	Vertical single-stage	Run dry protection	Yes
Free passage	10 mm	Shaft	Stainless steel
Bearing	Ball bearings, grease-lubricated	Impeller	Vortex impeller, GFK
Seal on motor side	Rotary shaft seal	Motor housing	Stainless steel
Oil chamber	Yes	Pump housing	GRP
Seal on medium side	SiC mechanical seal	Submersible	Yes
		Pressure outlet	1 1/4"

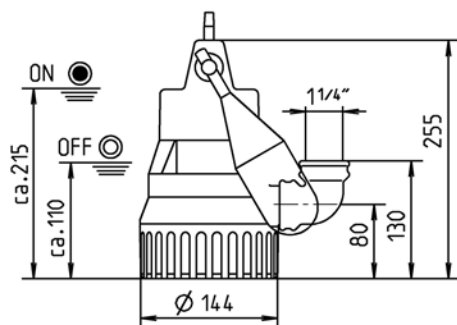
ELECTRICAL DATA

Voltage	1/N/PE~230 V	Type of enclosure	IP 68
Motor rating P1	0.32 kW	Insulation class	B
Motor rating P2	0.2 kW	Winding thermostat	Yes
Current	1.4 A	Motor protection	Integrated
Wires	3G1,0	Plug	Safety

U3 SPEZIAL

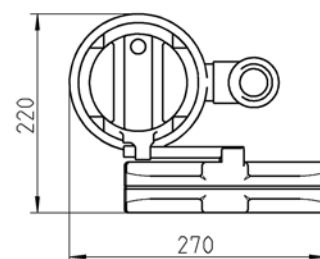
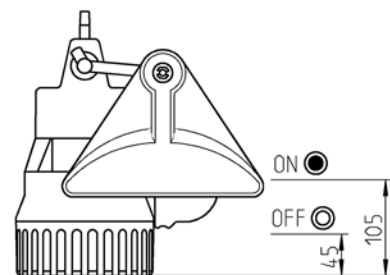
Type	Code No.	Power line	Weight
Without level control			
U3K-spezial, 10 m cable	JP09562	10m H07RN-F	4.3 kg
With built-in level control			
U3KS-spezial, 4 m cable	JP09563	4m H07RN-F	3.6 kg
U3KS-spezial, 10 m cable	JP45195	10m H07RN-F	4.3 kg

Dimensions and switching points U3KS spec. (mm)



27818-04

Dimensions and switching points special float (mm)

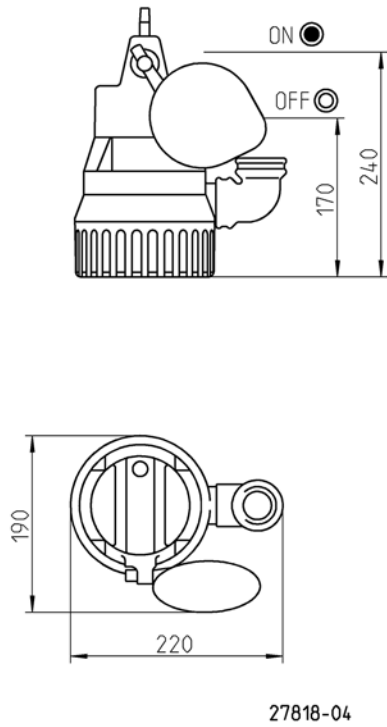


27818-04

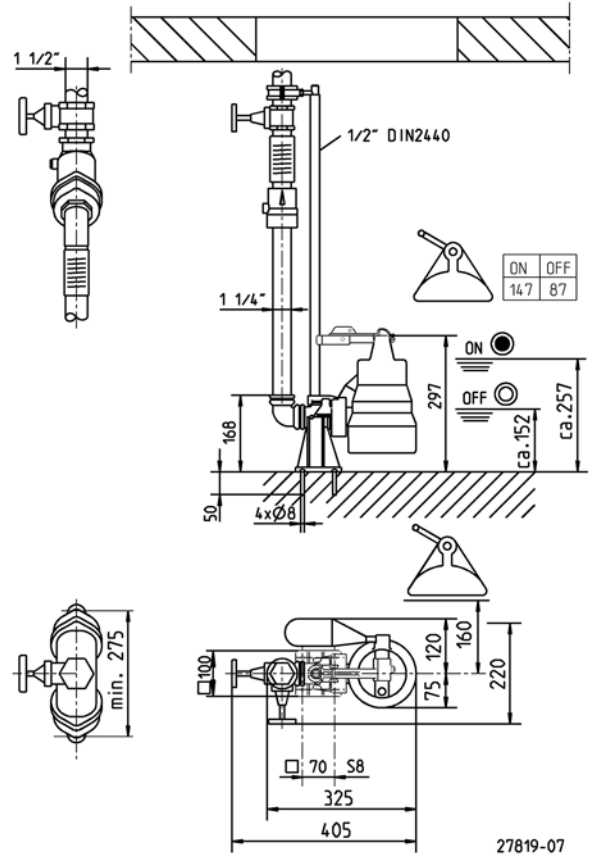
U3 SPEZIAL

DRAINAGE PUMPS

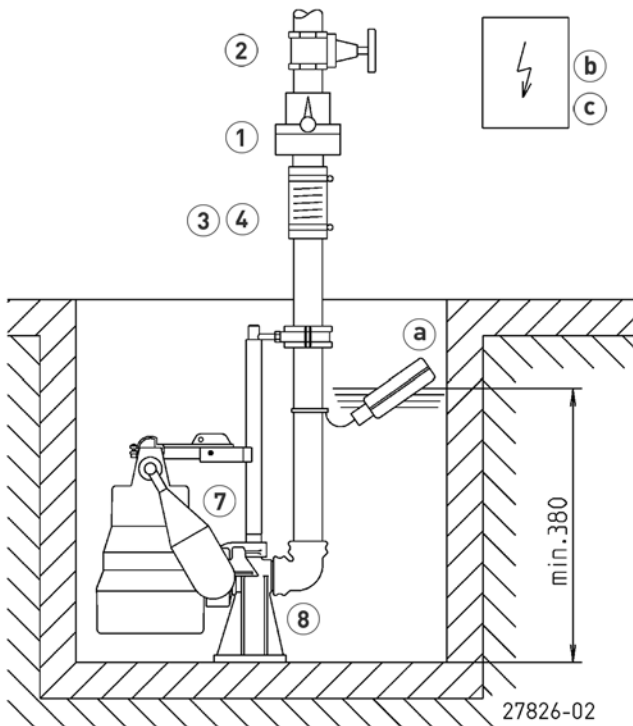
Dimensions and switching points special float (mm)



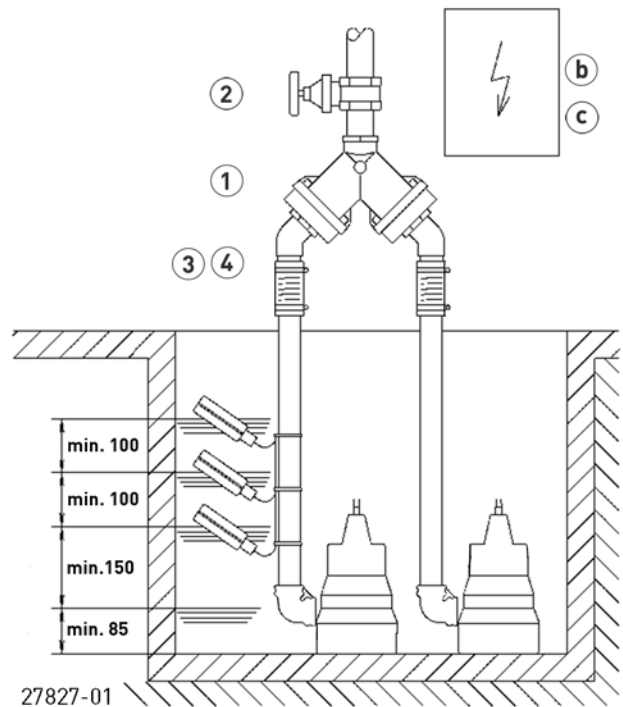
Dimensions GR (mm)



Example of single pump installation with GR



Example of duplex installation



U3 SPEZIAL

DRAINAGE PUMPS

Single unit with GR: sump area min. 40x50 cm or Ø 50 cm
 Single unit without GR: sump area min. 40x40 cm or Ø 40 cm

Duplex unit with GR: sump area min. 50x50 cm, Ø 60 cm
 Duplex unit without GR: sump area min. 50x50, Ø 55 cm

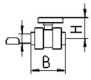

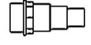

In case of installation beneath the backpressure level the pressure tube must be taken in a

loop over the local backup level acc. to EN 12056. Besides, it must be secured with an EN 12050-4-proofed swing-type check valve. Additionally we recommend an alarm system.

In accordance with EN 12056-4 section 5.1, it has a built-in automatic spare pump or a double attachment included, which ensures that sewage drainage is not interrupted.

Suspend control unit in a dry room


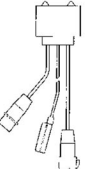

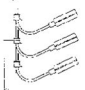
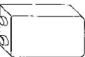

MECHANICAL ACCESSORY

				Code No.
	① Swing-type check valve			
	R32	EN 12050-4	1/4" (DN 32), PN 4	90x90 (HxB) JP09739
	DR 40	EN 12050-4	1/2" (DN 40), PN 4	200x280 (HxB) JP09155
	② Stop valve		brass, 1/2" (DN 40), PN 16	125x60 (HxB) JP44786
	Ball valve		1/4", PVC, for aggressive media	105x155 (HxB) JP46111
	③ Elastic connection		1/4" (DN 32), PN 3	100x42 (HxD) JP44773
	④ Hose band clamp		1/4"	JP44765
	⑤ Hose coupling			
	Hose coupling		1/4" (DN 32) brass, for transportable use	JP00327
	House connection		1/4" - 38/32/25	JP44209
	⑥ Hose set		1 1/4" (DN32), 15 m PVC hose c/w elbow	JP43550
	⑦ Special float		for lower switching points	JP44795
			for narrow chambers (mind. 30x30 od Ø30 cm)	JP40856
	Float fixation		for continuous pump operation	JP42175
	⑧ Guide rail system		GR 32	JP44000
	Support for guide rail extension		ex 2 m sump depth, per m 1 piece	JP28314
	⑨ Connection kit		DN 32, with telescopic pressure pipe 30-90 cm	JP44609

U3 SPEZIAL

DRAINAGE PUMPS

ELECTRICAL ACCESSORY

			Code No.
	a Alarm unit		
	AG3	subm. ball contact switch, mains dependent, potential-free contact, 3 m cable	JP44891
	AG10	subm. ball contact switch, mains dependent, potential-free contact, 9.5 m cable	JP44892
	Washing machine stop		
	AW3	subm. ball contact switch, mains dependent, 3 m cable	JP44895
	b Control for single units		
	Control unit NE 1	230 V, subm. ball contact switch 3.0 m	JP16710
	Control unit NE 1A	230 V, subm. ball contact switch 3.0 m, alarm	JP16714
	Control unit NE 2	230 V, subm. ball contact switch 9.5 m	JP16711
	Control unit NE 2A	230 V, subm. ball contact switch 9.5 m, alarm	JP16715
	Control for duplex units		
	Control unit BD 00 E	230 V, for pumps U3-U6, US 62-105, UV 300, 08/2 ME	JP45735
	Control unit HIGHLOGO 2-00 E	230 V	JP47996
	Level control		
	Subm. switch pack B	3 subm. ball contact switch with 9.5 m and fixing devices	JP16725
	Subm. switch pack BmG	3 subm. ball contact switch with 9.5 m and counterweight	JP16726
	Weight	to stabilize the subm. ball contact switch	JP44803
	c Rechargeable battery	for mains independent alarm	JP44850
	d Smart Home	FTJP radio transmitter	JP47209

U3 SPEZIAL

DRAINAGE PUMPS