



TSURUMI PUMP

GPN 3-phase
50Hz

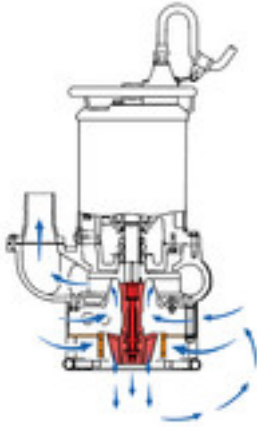
Pump with agitator
- for professional use

Heavy duty sand pump - a special steel impeller and suction plate have greatly increased the pump's life. The casing is designed to have wide passing area, thorough thickness and anti-abrasion material

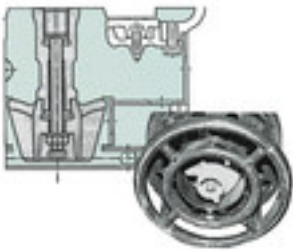


Forced agitation

The agitator installed on the motor shaft extension forcibly agitates the fluid for easy and efficient transmission of sludge and slurry.

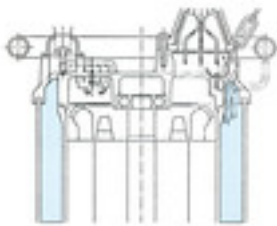


A special-steel impeller and suction plate have greatly increased the pump's life. The casing is designed to have wide passing area, thorough thickness and antiabrasion material. 4-pole motor used to achieve a simple structure that demonstrates excellent durability and versatility. Spiral structure, marvelously facilitates the passage of sand, soil, sludge, or slime - without clogging.



Water jacket

Inner and outer motor casing - flow-through-design - perfect cooling under dry-run-conditions

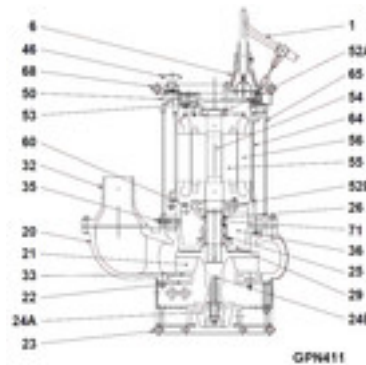


Components:

001 Cable	046 Air valve
006 Cable entrance	050 Motor cover
020 Pump casing	052A Upper bearing
021 Impeller	052B Lower bearing
022 Suction plate	053 Motor protector
023 Strainer	054 Shaft
024 Agitator	055 Rotor
025 Mechanical seal	056 Stator
026 Oil sealing	060 Bearing housing
029 Oil casing	064 Motor casing
032. Outlet	065 Jacket
033 Suction plate	068 Handle
035 Oil plug	071 Shaft sleeve
036 Lubricant	

Cast Iron used:

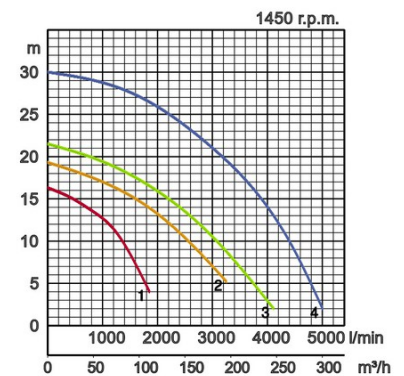
	Brinell hardness:
Chromium iron casting	415 - 425
Grey iron casting EN-GJL-150	125 - 205
Grey iron casting EN-GJL-200	150 - 230



Specifications:

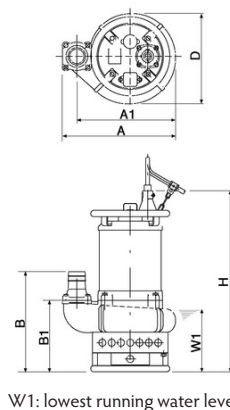
Model	Colour code curve	Bore mm	Motor output kW	Rated current A	Head max. m	Capacity max. l/min	Dry weight kg w/o cable	Max. solid handling ø mm	Max. water depth m	Cable length m
GPN35.5	1	80	5,5	12,1	16,3	1900	145,0	30	20	20
GPN411	2	100	11,0	22,0	19,3	3250	217,0	30	20	20
GPN415	3	100	15,0	25,8	21,5	4110	220,0	30	20	20
GPN622	4	150	22,0	42,5	30,0	5000	415,0	30	20	20

ø Discharge bore mm		80, 100, 150	
Pumping Fluid	Temperature	0-40°C	
	Type of Fluid	Sludge, Slurry, Liquids containing sandy mud and/or bentonite	
Pump	Components	Impeller	Open type impeller
		Shaft Seal	Double mechanical seal
		Bearings	Shielded ball bearings
	Material	Impeller	Chromium iron casting
		Casing	Grey iron casting EN-GJL-200
		Suction Plate	Chromium iron casting
Shaft Seal	Silicon carbide in oil bath		
Motor	Type, Poles		Induction motor, 4 poles, IP68
	Lubrication		Turbine oil (ISO VG32)
	Motor Protector (built-in)		Circle thermal cut-out
	Insulation		Insulation class E, Insulation class B
	Phase / Voltage		3-phase / 400V / 50Hz / d.o.l.
	Material	Casing	Grey iron casting EN-GJL-150
		Shaft	Chromium-molybdenum steel (DIN 1.7220)
Cable		Rubber, H07RN-F, Rubber, NSSHÖU	
Discharge Connection		Threaded flange/Hose coupling	



Dimensions in mm:

Model	A	A1	B	B1	D	H	W1
GPN35.5	487	426	429	307	390	777	270
GPN411	617	517	481	328	450	860	295
GPN415	617	518	481	328	451	860	295
GPN622	725	625	528	335	572	1102	300



In the event of abrasive and corrosive utilization, stronger wear and tear will take place naturally in certain components. In this regard, please pay attention to our website www.tsurumi.eu/english/applications.htm.



Contributing to World-wide Prosperity and Understanding through Worker- and Environment-friendly Production.

Designed for increased productivity through fully integrated streamlined production systems, Tsurumi's factory in Kyoto (Japan) features a production capacity of a full 1 million pumps per year. Large-scale modern R&D facilities offer optimum conditions for experimenting and testing of even super-large pumps and for developing new products to expand the possibilities and applications of pumps. To provide optimum conditions for our main asset, our workers, as well as for the environment, special emphasis is placed on optimized working conditions with airconditioning, minimized dust and exhaust gas emission, comprehensive recycling and waste recovery.

Tsurumi (Europe) GmbH

Heltorfer Straße 14
D-40472 Düsseldorf
Tel.: +49 (0)211-4179373
Fax: +49 (0)211-4791429
Email: sales@tsurumi.eu
www.tsurumi.eu

We reserve the right to change specifications and designs herein for improvement without prior notice. Our pumps are for professional use only. In the event that Tsurumi (Europe) GmbH have, in exceptional cases taken over, a manufacturer's warranty, this entitles the enduser to assert remedy free of charge against Tsurumi (Europe) GmbH due to any defect to the product occurring during the guarantee period (see below), also then when the warranty claims against the seller do not or no longer exist. In the event of malfunction, which is attributable to the improper handling by the enduser, no guarantee claim shall arise. Further claims shall not result from the warranty, unless if something to the contrary has explicitly been determined. The decision as to whether remedy is effected by way of replacement or repair shall be at the choice of Tsurumi (Europe) GmbH. The claims shall be time barred after a period of three months after expiry of the guarantee period, however, not before expiry of the warranty period which is valid towards the seller. In the event of doubt, the warranty period shall correspond with the warranty period which is valid between the end-user and his seller.



con-CPN-EN

